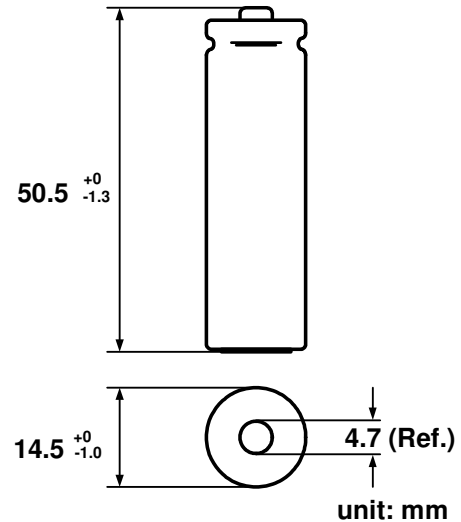
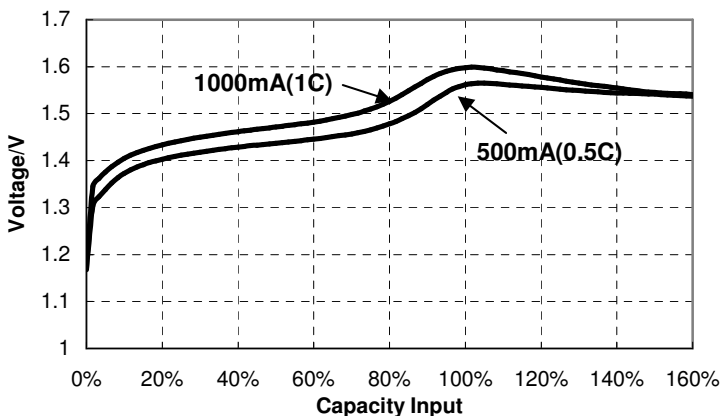


<b>Type</b>	: Rechargeable Nickel Metal Hydride Cylindrical Cell
<b>Nominal Dimension (with Sleeve)</b>	: $\Phi = 14.5\text{mm}$ H = 50.5mm
<b>Applications</b>	: Recommended discharge current 100mA to 3000mA
<b>Nominal Voltage</b>	: 1.2V
<b>Capacity</b>	: Nominal: 1000mAh Minimum: 1000mAh Typical: 1050mAh When discharged at 200mA to 1.0V at 20°C
<b>Charge Retention</b>	: 80% of nominal capacity after cell storage at 20°C for 24months When discharged at 100mA to 1.0V at 20°C
<b>Charging Condition</b>	: 100mA for 16hrs at 20°C
<b>Fast Charge</b>	: 500mA to 1000mA (0.5 to 1C) charge termination control recommended control parameters: - $\Delta V$ : 0-5mV DT/dt : 0.8°C/min (0.5 to 0.9C) 0.8 - 1°C/min (>1C) TCO : 45 - 50°C Timer : 105% nominal input (for ref. only)
<b>Service Life</b>	: Up to 300 cycles (IEC standard)
<b>Continuous Overcharge</b>	: 100mA maximum current for 1 year. No conspicuous deformation and/or Leakage
<b>Weight</b>	: 20.0g
<b>Internal Resistance</b>	: Average 25m $\Omega$ upon fully charged Max. 40m $\Omega$ at 1000Hz
<b>Max. Charging Voltage</b>	: 1.5V at 100mA charging
<b>Ambient Temperature Range</b>	: Standard Charge : 0 to 45°C Fast Charging : 10 to 45°C Discharge : -20 to 50°C Storage : -20 to 30°C

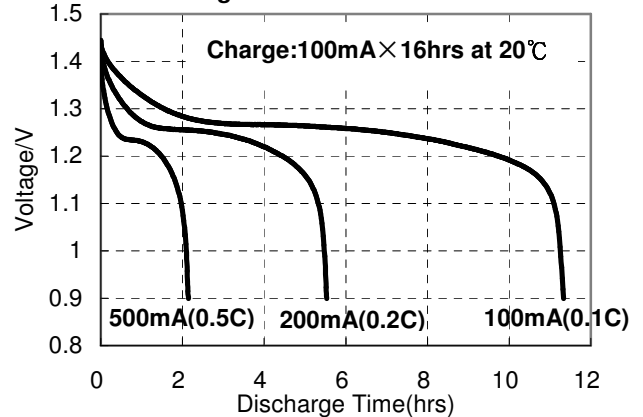
### Model No.: GP100AAHC



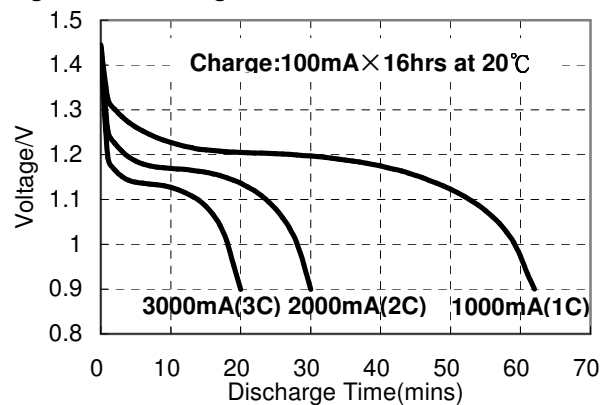
**Fast Charge (Charge Control required)**



**Low Rate Discharge**



**High Rate Discharge**



The information (subject to change without prior notice) contained in this document is for reference only and should not be used as a basis for product guarantee or warranty. For applications other than those described here, please consult your nearest GP Sales and Marketing Office or Distributors.

MRS6193 rev0